

nonlinearcircuits

1U XOR build & BOM

This is a passive XOR, similar to the ones in 'This 2 shall pass' but has two inputs rather than three. TBH it is not a great XOR but it makes a really great sounding pseudo ring modulator.

It has just 6 components on the PCB, pretty easy build.

BOM – The Tayda & Mouser part numbers are given as examples

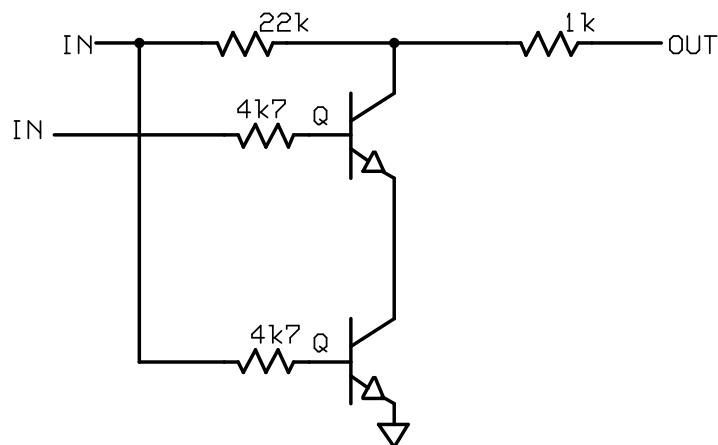
Get spares – you might drop something or my counting might be a bit off!

VALUE	QUANTITY	DETAILS
1k	1	0805
4k7	2	0805
22k	1	0805
BC847	2	Tayda A-1339
3.5MM mono SOCKET	3	Tayda: A-2563

Additional notes:

1. The chips, resistors, caps are cheapest from Tayda. Synthcube is also a good source of many parts. Schottky diodes, CMOS & 1uF, 10uF 25V 0805 caps from Mouser/E14/Farnell/etc.

2. Join the Nonlinearcircuits Builders Guild on FB:
<https://www.facebook.com/groups/174583056349286/> and ask questions there if you have any. If you prefer not to FB then email is fine.



nlc		
PASSIVE XOR		
andrewF	Rev 1.0	Page # or name
	10/13/2023	